

HINOWA LIGHTLIFT 20.10 TRACKED ACCESS PLATFORM



Working Height: 20.1m



Cage Capacity: 2 or SWL



GVW: 2,940kgs



Maximum Outreach: 9.7m



Safe Working Load: 230kgs

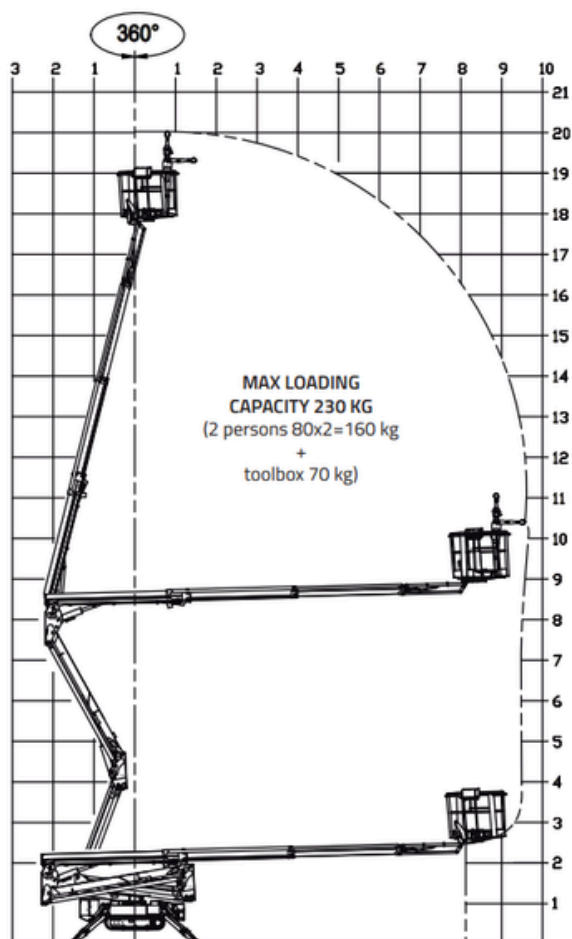


IPAF Category 1B

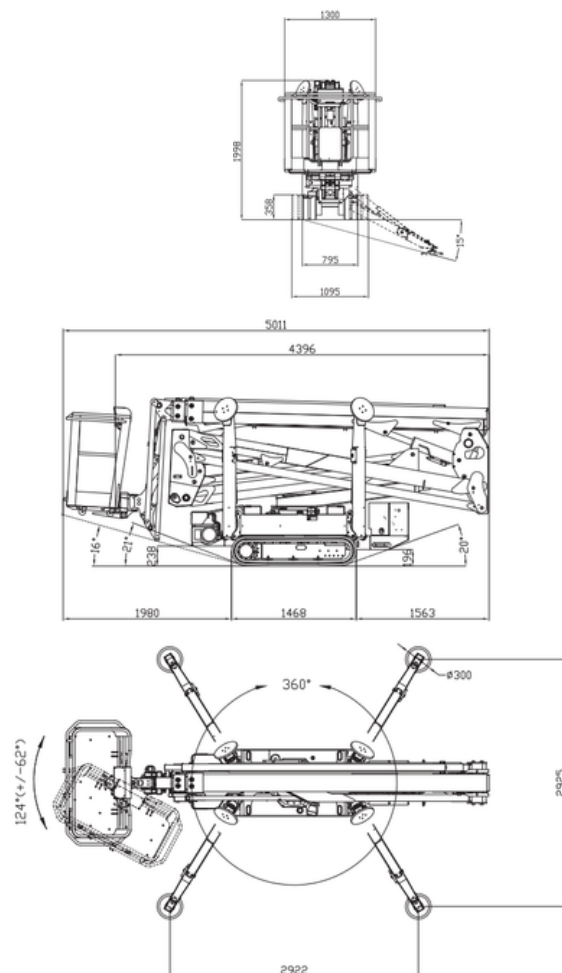
The compact travel dimensions and light weight of this machine, make it perfect for both indoor and outdoor use. It will reach exactly where you expect it to, even with two normal weight occupants in the cage. It is an ideal tool for jobs such as building maintenance and tree work.

HINOWA LIGHTLIFT 20.10 TRACKED ACCESS PLATFORM

This superb machine incorporates all the features you need for everyday, real life work without any complications. It has a 20.1m working height and 9.7m horizontal working outreach, but unlike many competitors the full maximum SWL of 230kg is available at all points within the working envelope.



Max Working Height: 20.1m
Max Horizontal Outreach: 9.7m
Max platform capacity / occupants:
230kg / 2 persons
Outreach at max. SWL: 9.7m
Max lateral slope when travelling:
16 degrees



Travel width stowed: 790mm
Travel length stowed: 4.4m
Travel height stowed: 2.0m
Minimum travel width with
cage removed: 0.80m
Weight: 2,940kg
Power source: Diesel / 240V AC

NEWCASTLE - North East: 0191 236 7120

HUNTINGDON - Cambridgeshire: 01480 891 581

NOTTINGHAM - East Midlands: 0115 838 3088

ILKESTON - East Midlands: 0115 979 1068

TIPTON - West Midlands: 0121 827 6985

www.warrenaccess.co.uk

Part of the  **UK TOOL HIRE GROUP LTD**

