

CTE 26JH TRUCK MOUNTED PLATFORM

Celebrating
Over 30 years in business
**Warren
Access**
Hire and Training
Part of the  **UK TOOL HIRE GROUP LTD**



Working Height: 26m



Maximum Outreach: 14m



Cage Capacity: 2 or SWL



Safe Working Load: 230kgs



GVW: 7.5 tonne



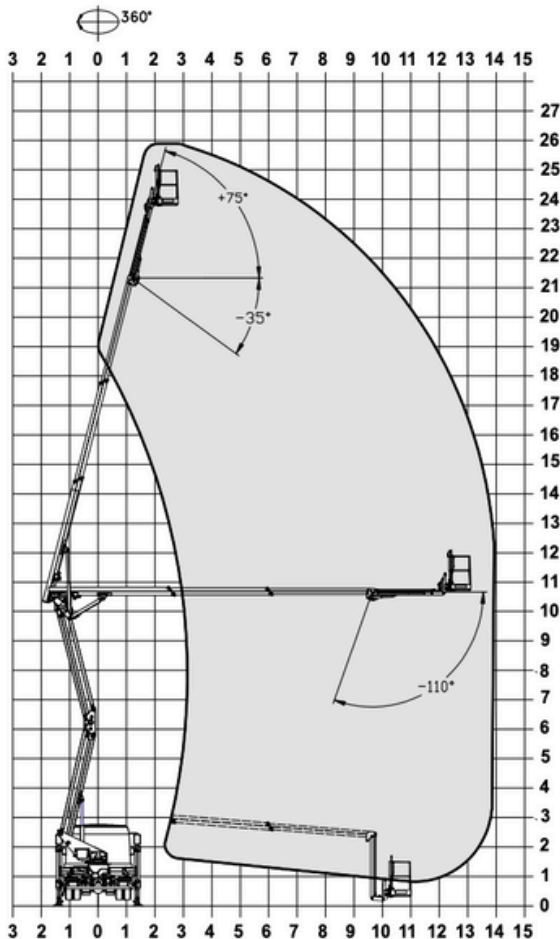
IPAF Category 1B

The CTE ZED 26JH has a double pantograph and telescopic boom with two extensions and jib. It has a 26m working height, a horizontal outreach of 14m and very simple controls.

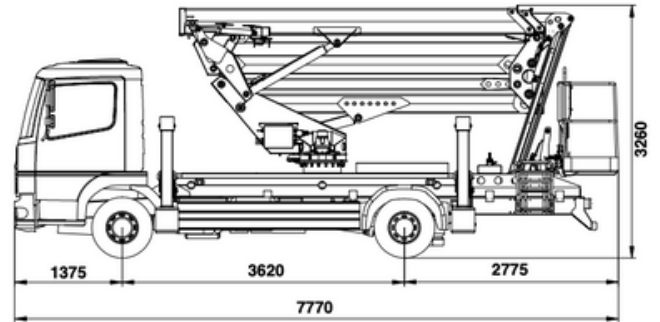
CTE 26JH TRUCK MOUNTED PLATFORM

It is super compact and has an impressive unrestricted working envelope and flat bottom cage. Weighing just 7.5 tonne, it can also be driven on standard licence with category C1.

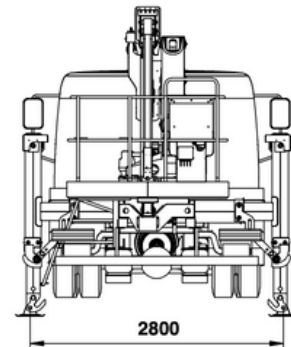
WORKING ENVELOPE



DIMENSIONS



OUTRIGGER FOOTPRINT



Max Working Height: 26m
Max Horizontal Outreach: 14m
Max Cage Floor Height: 24m
Max Safe Working Load: 230kg
Max Persons in Cage: 2
Max GVW: 7500kg

Cage Dimensions: 1.8 x 0.7 x 1.1m
Travelling Machine Length: 7.8m
Travelling Max Truck Height: 3.3m
Travelling Machine Width: 2.8m
Working Machine Width: 2.8m
Driving Licence Category: C1

NEWCASTLE - North East: 0191 236 7120

HUNTINGDON - Cambridgeshire: 01480 891 581

NOTTINGHAM - East Midlands: 0115 838 3088

ILKESTON - East Midlands: 0115 979 1068

TIPTON - West Midlands: 0121 827 6985

www.warrenaccess.co.uk

Part of the **UK TOOL HIRE GROUP LTD**

