

CTE 26JH TRUCK MOUNTED PLATFORM



Working Height: 26m



Maximum Outreach: 14m



Cage Capacity: 2 or SWL



Safe Working Load: 230kgs



GVW: 7.5 tonne



IPAF Category 1B

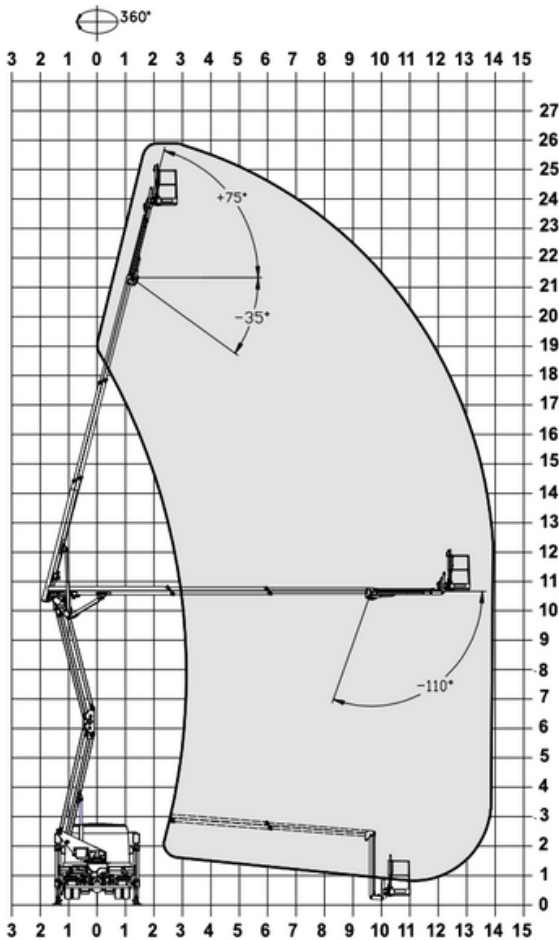
The CTE ZED 26JH has a double pantograph and telescopic boom with two extensions and jib. It has a 26m working height, a horizontal outreach of 14m and very simple controls.

CTE 26JH TRUCK MOUNTED PLATFORM



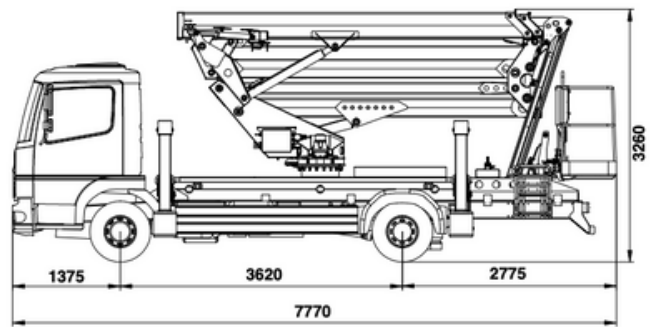
It is super compact and has an impressive unrestricted working envelope and flat bottom cage. Weighing just 7.5 tonne, it can also be driven on standard licence with category C1.

WORKING ENVELOPE

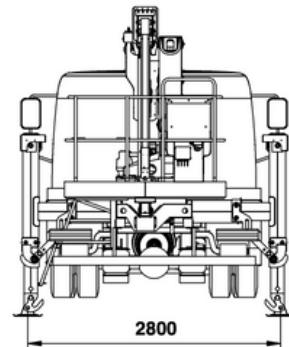


- Max Working Height: 26m
- Max Horizontal Outreach: 14m
- Max Cage Floor Height: 24m
- Max Safe Working Load: 230kg
- Max Persons in Cage: 2
- Max GVW: 7500kg

DIMENSIONS



OUTRIGGER FOOTPRINT



- Cage Dimensions: 1.8 x 0.7 x 1.1m
- Travelling Machine Length: 7.8m
- Travelling Max Truck Height: 3.3m
- Travelling Machine Width: 2.8m
- Working Machine Width: 2.8m
- Driving Licence Category: C1



www.warrenaccess.co.uk

NEWCASTLE: 0191 236 7120
Baker Road, Nelson Park West, Cramlington, NE23 1WL

HUNTINGDON: 01480 891 581
Unit 4D & 4E, Grange Farm, Abbots Ripton, Huntingdon, PE28 2PH