

HAULOTTE STAR10 - ELECTRIC VERTICAL MAST BOOM LIFT



Working Height: 10m



Cage Capacity: 2 or SWL



GVW: 2,677kgs



Maximum Outreach: 3m



Safe Working Load: 200kgs

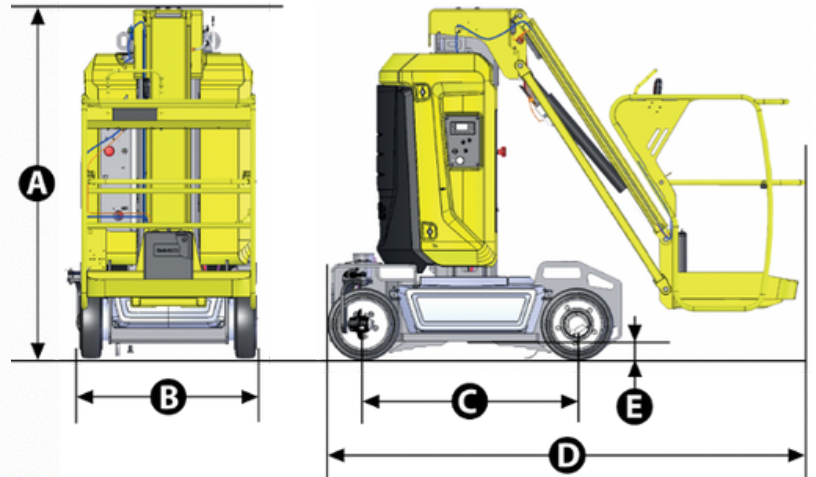
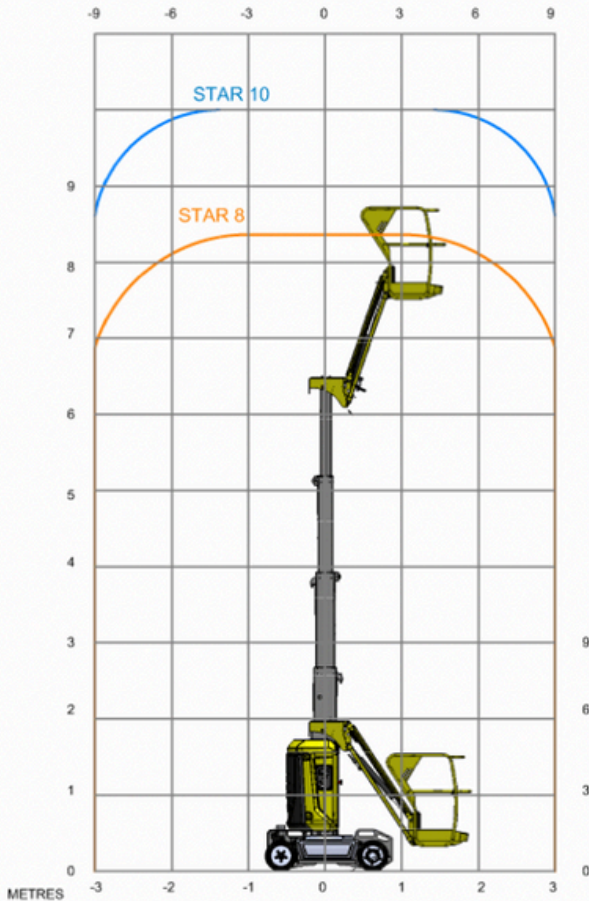


IPAF Category 3B

The Star10 is the perfect tool for working in narrow aisles in factories, warehouses and supermarkets. They are also very popular for heating, ventilation & air-conditioning work (HVAC) and at sporting and other events, due to their light weight. The versatile jib gives 3m horizontal reach and the telescopic vertical mast ensures there is zero tail-swing.

HAULOTTE STAR10 - ELECTRIC VERTICAL MAST BOOM LIFT

Our Star10 Vertical Mast Boom Lifts are designed to be used on even ground and can be used indoors and outdoors (1-person maximum outdoors). Because these machines are so versatile, they are a smart choice for the logistic, retail industry, maintenance & restoration sectors.



D Length	2.7 m
B Width	1 m
Tailswing	0 cm
C Wheelbase	1.2 m
A Height - stowed	1.99 m
E Ground clearance	10 cm

Max Working Height: 10m
 Max Horizontal Outreach: 3m
 Max Cage Floor Height: 8m
 Max SWL indoors (2 persons): 200kgs
 Max SWL outdoors (1 person): 200kgs

Max Persons in Cage: 2 or SWL
 Non-marking tyres: Yes
 Power: Battery
 Terrain: Solid/flat
 IPAF Category: 3B

NEWCASTLE - North East: 0191 236 7120

HUNTINGDON - Cambridgeshire: 01480 891 581

NOTTINGHAM - East Midlands: 0115 838 3088

ILKESTON - East Midlands: 0115 979 1068

TIPTON - West Midlands: 0121 827 6985

www.warrenaccess.co.uk

Part of the **UH TOOL HIRE GROUP LTD**

