

# 9.75M SKYJACK SJIII 3226 - NARROW ELECTRIC SCISSOR LIFT



Working Height: 9.75m



GVW: 1,876kgs



Platform Capacity outdoors: 0



Lift Capacity: 227kgs



Platform Capacity indoors: 2

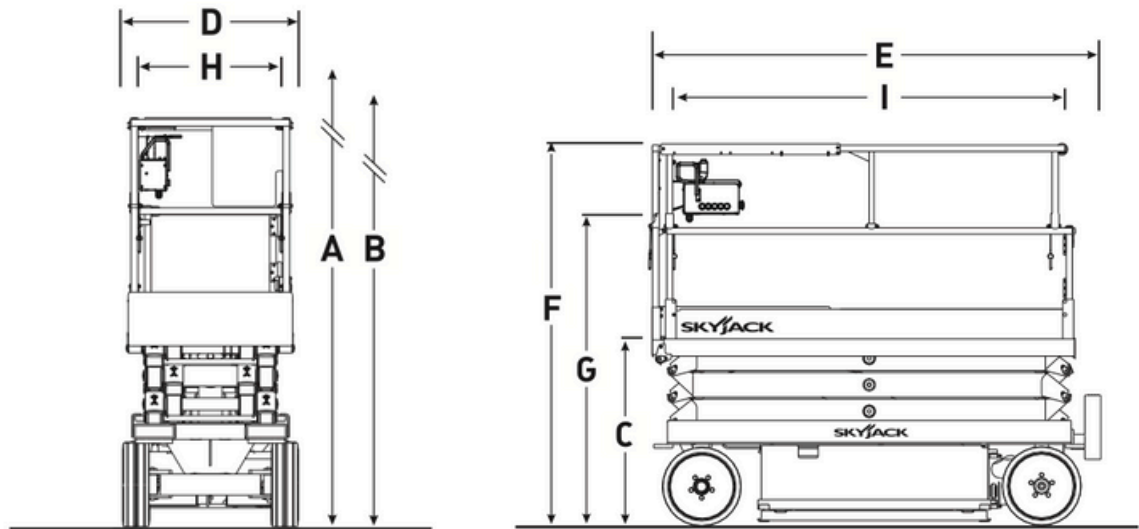


IPAF Category 3A

SJIII 3226's are ideal for indoor work where accuracy and precision is critical. 9.75m working height, yet only 0.71m in width. Can pass through a single door, making it an ideal tool for tight spaces. Weighing only 1,876kgs and with non-marking tyres, this narrow electric scissor lift is a front-runner for work on delicate floors.

# 9.75M SKYJACK SJIII 3226 - NARROW ELECTRIC SCISSOR LIFT

An indoor only machine, it is the perfect tool for work on firm, level surfaces such as; indoor maintenance in event venues, sports halls, retail environments, warehouses and public buildings. Excellent accessibility to all major components and no complicated computers or can-bus systems onboard.



Dimensions	SJIII 3220	SJIII 3226
<b>A</b> Work Height	26' (7.92 m)	32' (9.75 m)
<b>B</b> Raised Platform Height	20' (6.10 m)	26' (7.92 m)
<b>C</b> Lowered Platform Height	38" (0.97 m)	45" (1.14 m)
<b>D</b> Overall Width	32" (0.81 m)	32" (0.81 m)
<b>E</b> Overall Length	91.5" (2.32 m)	91.5" (2.32 m)
<b>F</b> Stowed Height (Rails Up)	77.5" (1.97 m)	84.7" (2.15 m)
<b>G</b> Stowed Height (Rails Down)	OPT 63.5" (1.61 m)	70.6" (1.79 m)
<b>H</b> Platform Width (Inside Dimension)	28" (0.71 m)	28" (0.71 m)
<b>I</b> Platform Length (Inside Dimension)	84" (2.13 m)	84" (2.13 m)

Non-marking tyres: Yes | Power: Battery | Terrain: Solid/flat

**NEWCASTLE** - North East: 0191 236 7120

**HUNTINGDON** - Cambridgeshire: 01480 891 581

**NOTTINGHAM** - East Midlands: 0115 838 3088

**ILKESTON** - East Midlands: 0115 979 1068

**TIPTON** - West Midlands: 0121 827 6985

[www.warrenaccess.co.uk](http://www.warrenaccess.co.uk)

Part of the **UK TOOL HIRE GROUP LTD**

