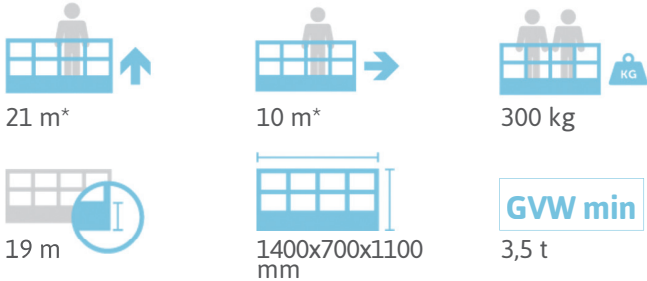


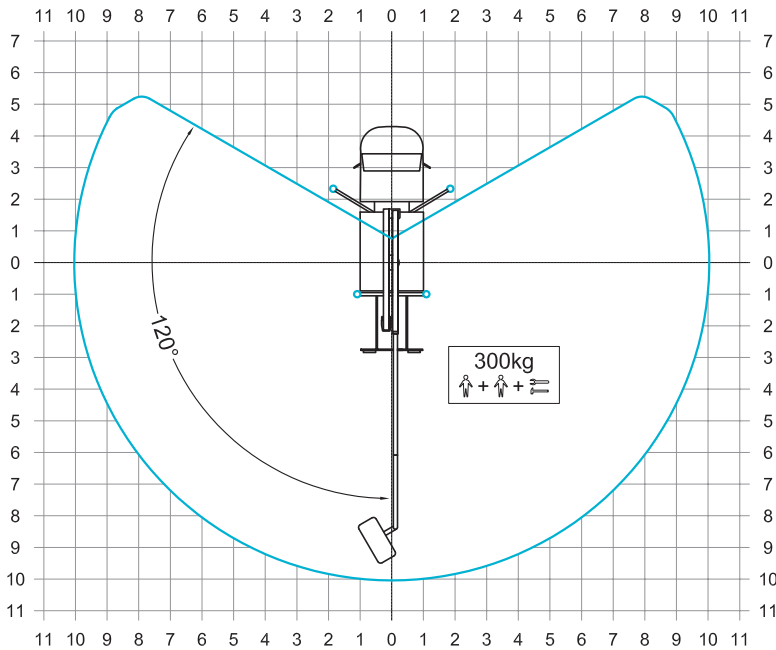
SPECIFICATION



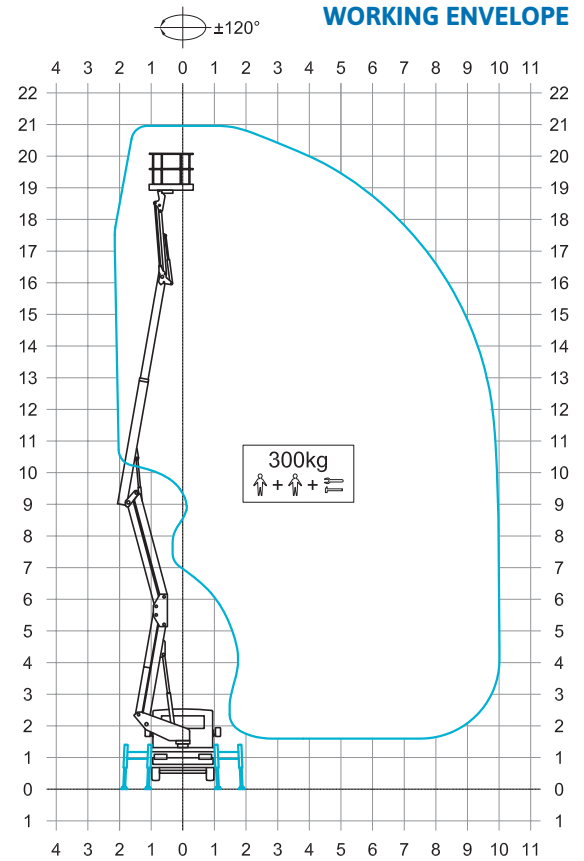
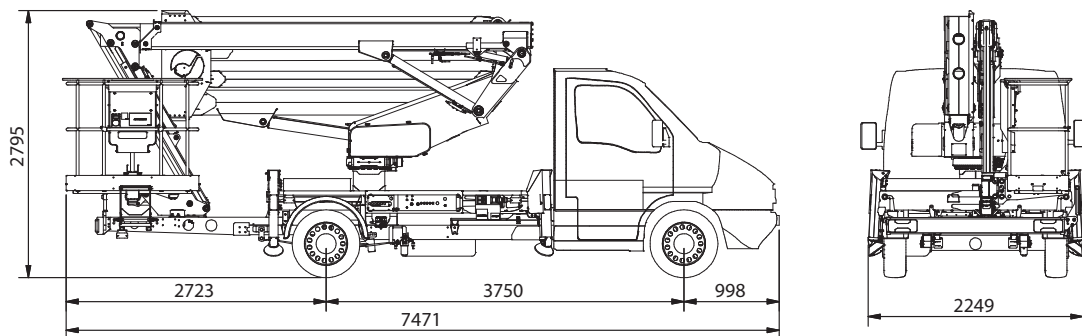
21.3 JHL IVECO Daily



OUTRIGGER FOOTPRINT



DIMENSIONS



* outreach and height max values and repeatability can change within ± 3% due to manufacturing variation and working condition.

Product specifications are subject to change without notice or obligation. Technical features and drawings in this brochure are for illustrative purposes only. _ZED 21.3 JHL on Iveco Daily - ed. 08/19



CTE S.p.A.
 Headquarter 7 Via Caproni - Rovereto (TN) IT, 38068
 Ph. +39 0464 48.50.50 - Fax +39 0464 48.50.99
 info@ctelift.com - www.ctelift.com
 Factory 5 Loc. Terramatta - Rivoli Veronese (VR) IT, 37010
 CTE UK Ltd Enderby Leicestershire - UK



www.warrenaccess.co.uk

