

20M ISOLI PNT 205NH - TRUCK MOUNTED PLATFORM



Working Height: 20m



Maximum Outreach: 8.9m



Cage Capacity: 2 or SWL



Safe Working Load: 230kgs



GVW: 3,500kgs



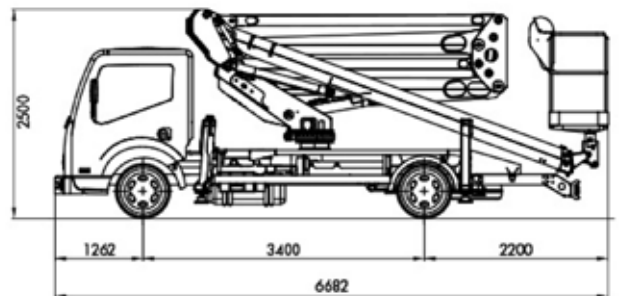
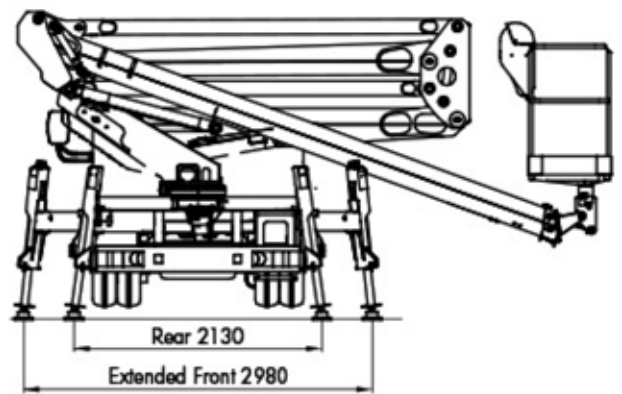
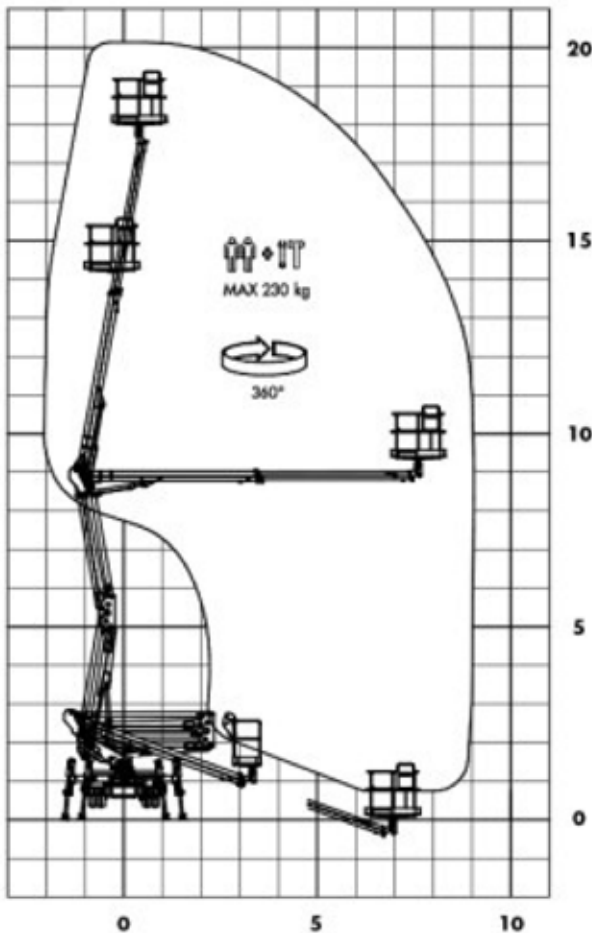
IPAF Category 1B

The Isoli PNT 205NH is an easy to use and versatile 20m working height platform, giving 8.9m of horizontal reach with two persons in the cage. The dual pantograph boom makes the vehicle short when driving (only 6.7m) and it gives good up-and-over capability while ensuring the boom knuckle stays within the outrigger spread.

20M ISOLI PNT 205NH - TRUCK MOUNTED PLATFORM



A telescopic upper section makes fine positioning easy and the 3.5tonne gross vehicle weight allows it to be driven on a standard UK driving licence. If you are looking for cherry pickers for hire when doing maintenance and construction work, the 205NH is an ideal tool for the job.



Max Working Height: 20m
Max Horizontal Outreach: 8.9m
Max Cage Floor Height: 18m
Max Safe Working Load: 230kgs
Max Persons in Cage: 2
Max GVW: 3,500kgs

Cage Dimensions: 1.4 x 0.7m
Travelling Machine Length: 6.4m
Travelling Max Height: 2.5m
Travelling Machine Width: 2.1m
Working Machine Width: 3m
IPAF Category: 1B



www.warrenaccess.co.uk

NEWCASTLE: 0191 236 7120
Brunswick Ind Est, Newcastle upon Tyne, NE13 7BA

HUNTINGDON: 01480 891 581
Old Houghton Road, Hartford, Huntingdon, PE29 1YB