

HINOWA LIGHTLIFT 17.75 TRACKED ACCESS PLATFORM



Working Height: 17.1m



Cage Capacity: 2 or SWL



GVW: 2,230kgs



Maximum Outreach: 7.5m



Safe Working Load: 230kgs



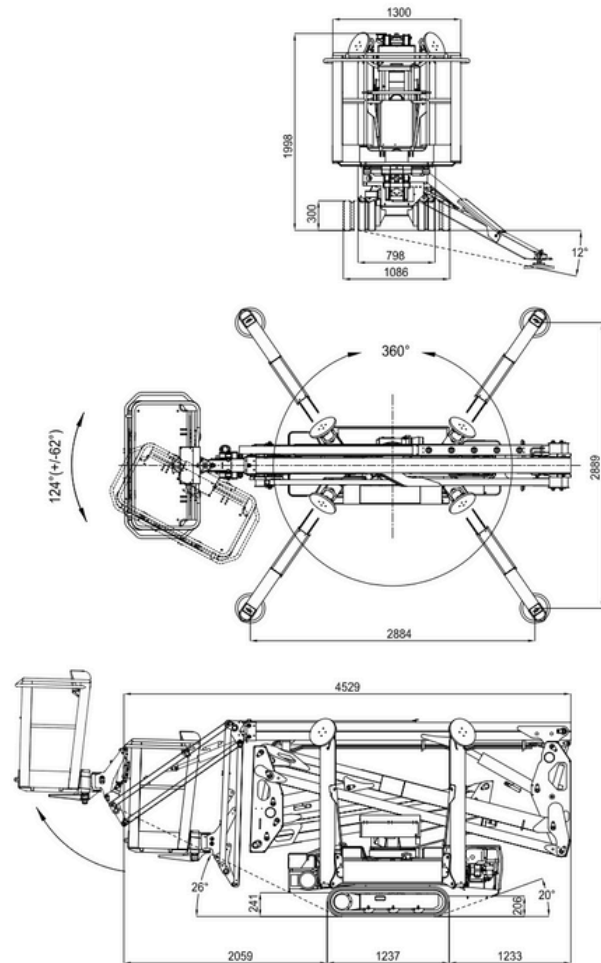
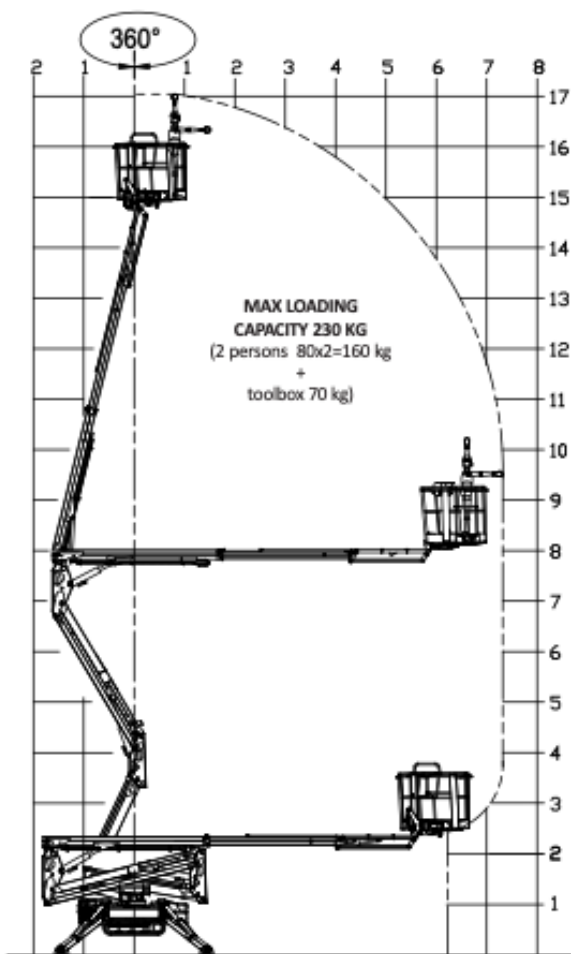
IPAF Category 1B

The compact travel dimensions and light weight of this machine, make it perfect for both indoor and outdoor use. It will reach exactly where you expect it to, even with two normal weight occupants in the cage. It is an ideal tool for jobs such as building maintenance and tree work.

HINOWA LIGHTLIFT 17.75 TRACKED ACCESS PLATFORM



This superb machine incorporates all the features you need for everyday, real life work without any complications. It has a 17m working height and 7.5m horizontal working outreach, but unlike many competitors the full maximum SWL of 230kg is available at all points within the working envelope.



Max Working Height: 17.1m
 Max Horizontal Outreach: 7.5m
 Max platform capacity / occupants:
 230kg / 2 persons
 Outreach at max. SWL: 7.5m
 Max lateral slope when travelling:
 16 degrees

Travel width stowed: 1.09m
 Travel length stowed: 4.52m
 Travel height stowed: 2.0m
 Minimum travel width with
 cage removed: 0.80m
 Weight: 2,230kg
 Power source: Diesel / 110V mains



www.warrenaccess.co.uk

NEWCASTLE: 0191 236 7120

Prosperous House, Eccleston Close, Backworth, Newcastle, NE27 0RX

HUNTINGDON: 01480 891 581

Unit 4D & 4E, Grange Farm, Abbots Ripton, Huntingdon, PE28 2PH