

# 11.6M SKYJACK SJIII 4632 - WIDE ELECTRIC SCISSOR LIFT



Working Height: 11.6m



Platform Capacity outdoors: 1



Platform Capacity indoors: 2



GVW: 2,302kgs



Lift Capacity: 318kgs

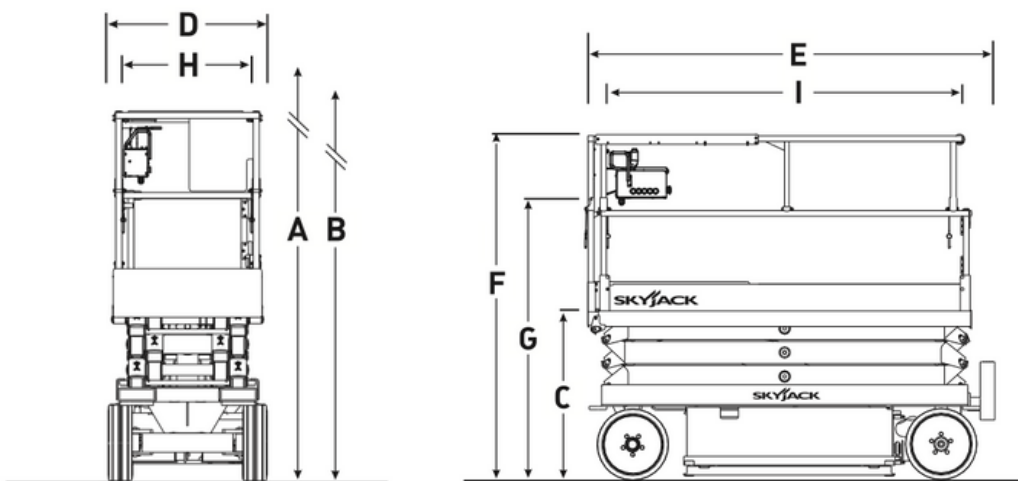


IPAF Category 3A

The SJIII 4632 is a mid-size electric scissor lift with a working height of 11.6m and a safe working load of 317kg. It can be used indoors or outdoors and is particularly suitable for applications such as; construction fit-outs, installation, electrical and maintenance jobs.



Powered by a bank of heavy duty deep-cycle batteries, the Skyjack 4632 offers almost silent operation and has enough power for a full days work before needing to be recharged. The solid rubber, non-marking tyres make it an ideal choice for delicate floors.



Dimensions	SJIII 4632
<b>A</b> Work Height	38' (11.58 m)
<b>B</b> Raised Platform Height	32' (9.75 m)
<b>C</b> Lowered Platform Height	48.5" (1.23 m)
<b>D</b> Overall Width	46" (1.17 m)
<b>E</b> Overall Length	91" (2.31 m)
<b>F</b> Stowed Height (Rails Up)	88" (2.24 m)
<b>G</b> Stowed Height (Rails Down)	74" (1.88 m)
<b>H</b> Platform Width (Inside Dimension)	42" (1.07 m)
<b>I</b> Platform Length (Inside Dimension)	84" (2.13 m)

Non-marking tyres: Yes | Power: Battery | Terrain: Solid/flat

